

COLENTY

TO SANFORD

Ryes

HARNETT COUNTY



TO SANFORD

35° 25'

79° 05'

Olivia

Spout Springs

UPPER

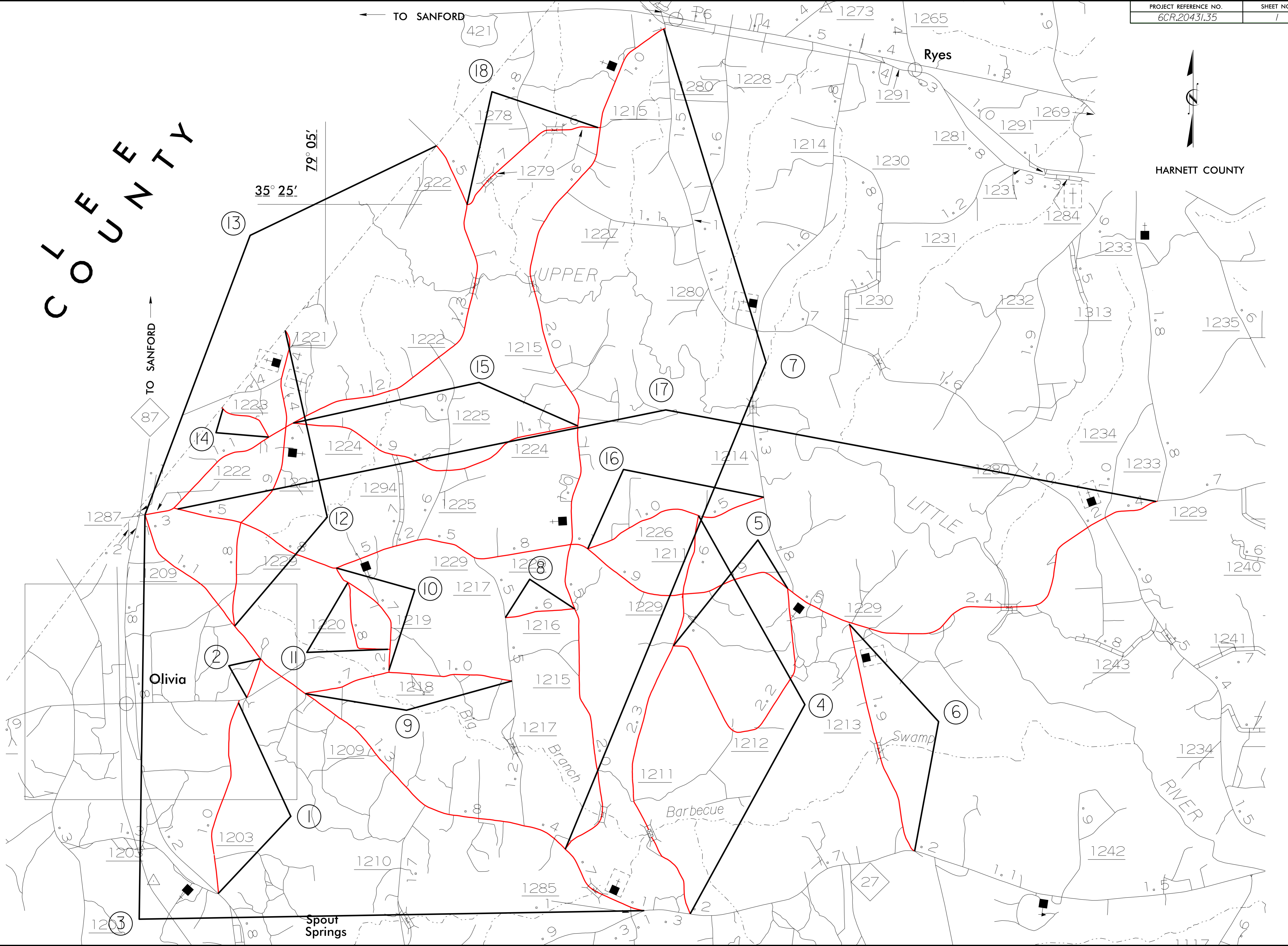
LITTLE

Big Branch

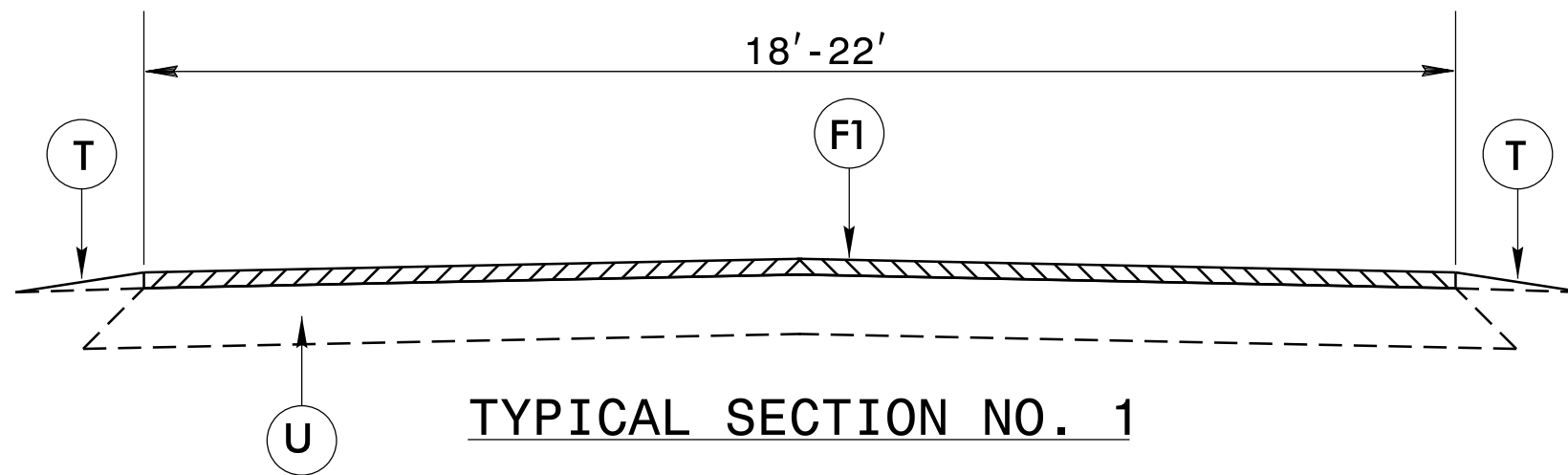
Barbecue

Swamp

RIVER



PAVEMENT SCHEDULE	
F1	SPLIT SEAL PLACED ACCORDING TO THE SPECIAL PROVISIONS
T	EXISTING SHOULDER
U	EXISTING ASPHALT



PROJECT NO. 6CR.20431.35	SHEET NO.	TOTAL NO.

SUMMARY OF QUANTITIES

PROJECT	COUNTY	MAP	ROUTE	DESCRIPTION	TYP	LANES	LANE TYPE	FINAL SURFACE TESTING REQUIRED	WARM MIX ASPHALT REQUIRED	LENGTH	WIDTH	ASPHALT SURFACE TREATMENT, SPLIT SEAL	4399000000-N TEMPORARY TRAFFIC CONTROL	4400000000-E STATIONARY WORK ZONE SIGN
NO		NO			NO					MI	FT	SY	LS	SF
6CR.20431.35	Harnett	1	SR 1203	FROM: SR 1205 MP 0.0 TO: NC 87 MP 1.52	1	2	2WU	NO	NO	1.52	22	19,618	1	109
		TOTAL FOR MAP NO. 1								1.52		19,618	1	109
6CR.20431.35	Harnett	2	SR 1208	FROM SR 1205 MP 0.0 TO: SR 1209 MP 0.32	1	2	2WU	NO	NO	0.32	18	3,379		73
		TOTAL FOR MAP NO. 2								0.32		3,379		73
6CR.20431.35	Harnett	3	SR 1209	FROM: NC 27 MP 0.0 TO: SR 1222 MP 5.22	1	2	2WU	NO	NO	5.22	22	67,373		363
		TOTAL FOR MAP NO. 3								5.22		67,373		363
6CR.20431.35	Harnett	4	SR 1211	FROM: NC 27 MP 0.0 TO: SR 1226 MP 3.36	1	2	2WU	NO	NO	3.36	20	39,424		181
		TOTAL FOR MAP NO. 4								3.36		39,424		181
6CR.20431.35	Harnett	5	SR 1212	FROM: SR 1229 MP 0.0 TO: SR 1211 MP 2.22	1	2	2WU	NO	NO	2.22	20	26,048		73
		TOTAL FOR MAP NO. 5								2.22		26,048		73
6CR.20431.35	Harnett	6	SR 1213	FROM: NC 27 MP 0.0 TO: SR 1229 MP 1.89	1	2	2WU	NO	NO	1.89	18	19,958		73
		TOTAL FOR MAP NO. 6								1.89		19,958		73
6CR.20431.35	Harnett	7	SR 1215	FROM: SR 1280 MP 0.0 TO: SR 1209 MP 7.12	1	2	2WU	NO	NO	7.12	18	78,214		290
		TOTAL FOR MAP NO. 7								7.12		78,214		290
6CR.20431.35	Harnett	8	SR 1216	FROM: SR 1215 MP 0.0 TO: SR 1217 MP 0.56	1	2	2WU	NO	NO	0.56	20	6,571		73
		TOTAL FOR MAP NO. 8								0.56		6,571		73
6CR.20431.35	Harnett	9	SR 1218	SR 1218 FROM: SR 1217 MP 0.0 TO: SR 1209 MP 1.65	1	2	2WU	NO	NO	1.65	18	17,424		109
		TOTAL FOR MAP NO. 9								1.65		17,424		109
6CR.20431.35	Harnett	10	SR 1219	FROM: SR 1218 MP 0.0 TO: SR 1229 MP 1.02	1	2	2WU	NO	NO	1.02	20	11,968		145
		TOTAL FOR MAP NO. 10								1.02		11,968		145
6CR.20431.35	Harnett	11	SR 1220	FROM SR 1219 MP 0.0 TO: SR 1219 MP 0.81	1	2	2WU	NO	NO	0.81	20	9,504		73
		TOTAL FOR MAP NO. 11								0.81		9,504		73
6CR.20431.35	Harnett	12	SR 1221	FROM: LEE CO. MP 0.0 TO: SR 1209 MP 2.45	1	2	2WU	NO	NO	2.45	18	27,820		254
		TOTAL FOR MAP NO. 12								2.45		27,820		254
6CR.20431.35	Harnett	13	SR 1222	FROM: LEE CO. MP 0.0 TO: SR 1225 MP 4.60	1	2	2WU	NO	NO	4.6	22	59,371		290
		TOTAL FOR MAP NO. 13								4.6		59,371		290
6CR.20431.35	Harnett	14	SR 1223	FROM: LEE CO MP 0.0 TO: SR 1221 MP 0.42	1	2	2WU	NO	NO	0.42	18	4,435		73
		TOTAL FOR MAP NO. 14								0.42		4,435		73
6CR.20431.35	Harnett	15	SR 1224	FROM: SR 1222 MP 0.0 TO: SR 1225 MP 2.42	1	2	2WU	NO	NO	2.42	20	28,395		181
		TOTAL FOR MAP NO. 15								2.42		28,395		181
6CR.20431.35	Harnett	16	SR 1226	FROM: SR 1229 MP 0.0 TO: SR 1211 MP 1.51	1	2	2WU	NO	NO	1.51	20	17,717		109
		TOTAL FOR MAP NO. 16								1.51		17,717		109
6CR.20431.35	Harnett	17	SR 1229	FROM: SR 1233 MP 7.45 TO: BRIDGE MP 16.16	1	2	2WU	NO	NO	8.72	20	102,315		689
		TOTAL FOR MAP NO. 17								8.72		102,315		689
6CR.20431.35	Harnett	18	SR 1279	FROM: SR 1215 MP 0.0 TO: SR 1222 MP 1.31	1	2	2WU	NO	NO	1.31	20	15,371		109
		TOTAL FOR MAP NO. 18								1.31		15,371		109
6CR.20431.35	Harnett	19	SR 1294	FROM SR 1229 MP 0.0 TO: SR 1224 MP 0.74	1	2	2WU	NO	NO	0.74	20	8,683		73
		TOTAL FOR MAP NO. 19								0.74		8,683		73
		TOTAL FOR PROJ NO. 6CR.20431.35								47.86		563,588	1	3,340
		GRAND TOTAL								47.86		563,588	1	3,340